

# PC Series Pressure Controls

## ■ Introduction

PC series pressure control can protect compressors in refrigeration and air-condition plant, and keep them from over-low pressure or over-high suction pressure. It can start and stop refrigeration compressor and fans of air condenser. And also can be used not only in fluoride refrigeration, but also in air and liquid. PC series pressure control is fitted with a single pole double throw (SPDT) changeover switch. The position of the switch is determined by the pressure control setting and the pressure at the connector.

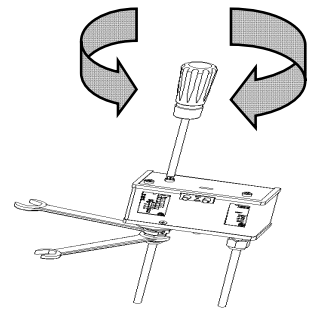
## ■ Type & Data

Unit: Bar

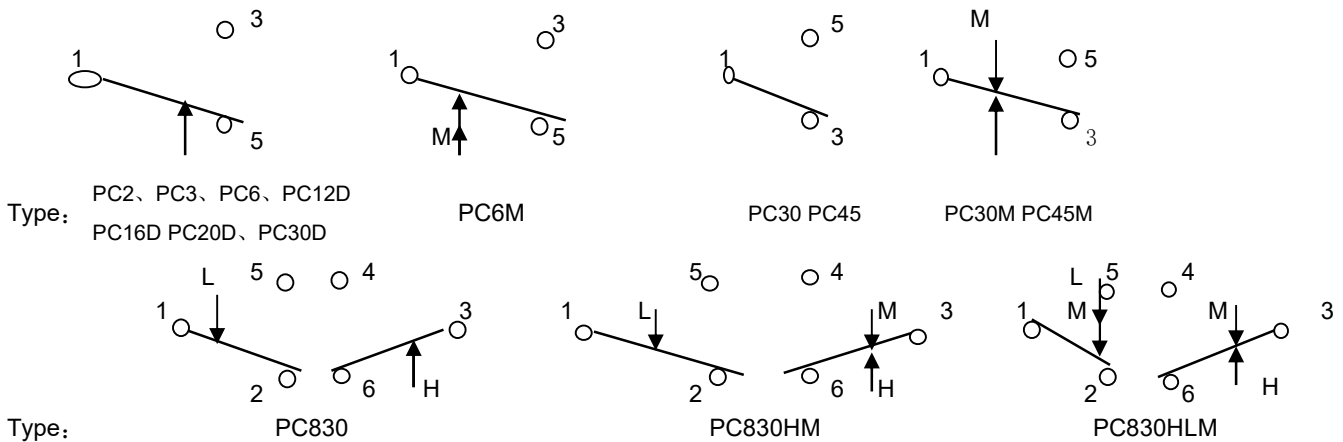
Type	Low Pressure		High Pressure		Reset		Max. work pressure		Notes
	Range	Diff.	Range	Diff.	Low	High	Low	High	
PC2	0~2	0.4~1			Auto		17		
PC3	-0.7~3	0.5~2			Auto		17		
PC6	-0.7~6	1~4			Auto		17		
PC6M	-0.7~6	fixed≤2			Man.		17		
PC10	1~10	1~3			Auto		17		
PC20D			4~20	1.5~5		Auto		33	
PC12D			2~12	1~3		Auto		33	
PC16D			3~17	1~3		Auto		33	
PC30D			5~30	3~10		Auto		33	
PC30			5~30	3~5fixed		Auto		33	
PC30M			5~30	fixed≤4		Man.		33	
PC45M			10~45	fixed≤6		Man.		50	
PC45			10~45	3~5fixed		Auto		50	
PC45D			10~46	5~15		Auto		50	
PC70D			20~70	5~15		Auto		70	
PC830	-0.7~6	1~4	5~30	3~5fixed	Auto	Auto	17	33	
PC830HM	-0.7~6	1~4	5~30	fixed≤4	Auto	Man.	17	33	
PC830HLM	-0.7~6	fixed≤2	5~30	fixed≤4	Man.	Man.	17	33	
PC830HH	5~30	3~10	5~30	3~5fixed	Auto	Auto	33	33	
PC1245L	2~12	1.5~5	10~45	3~5fixed	Auto	Auto	33	50	
PC1245LHM	2~12	1.5~5	10~45	fixed≤6		Man.	33	50	
PC760	-1~0	0.2~0.5			Auto			17	

## ■ Electrical Data

A.C. 220V 16A  
A.C. 110V 24A



## ■ Contact Systems



Notes: ↑ Pressure Rising, M -- Manual Reset.